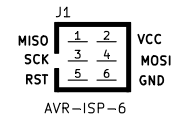
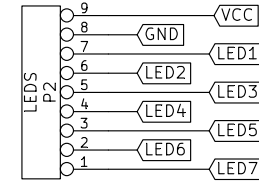
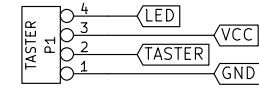
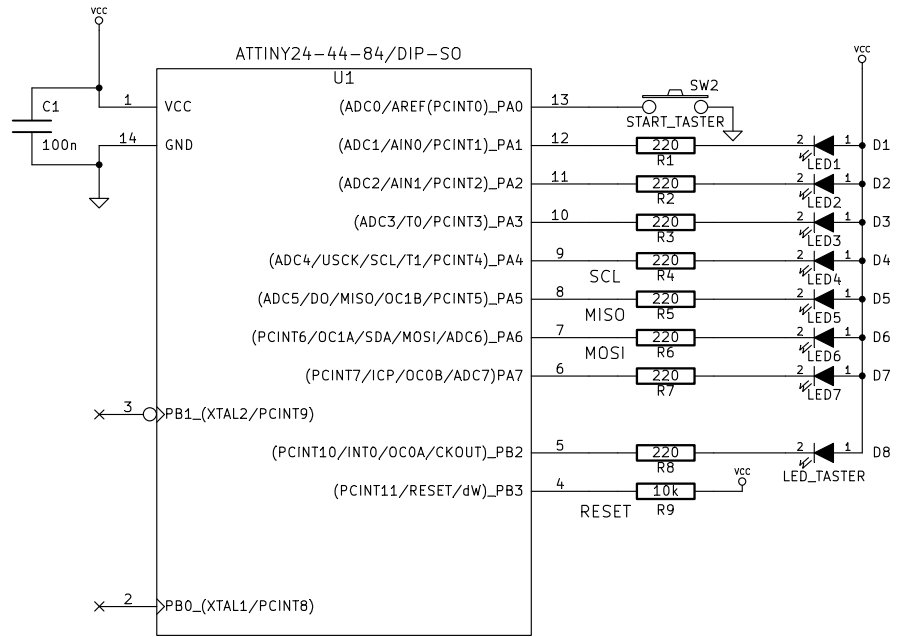
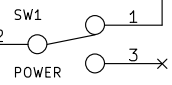
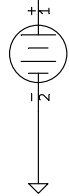


BT1
CR3025



| | | |
|--|-------------------|-------------|
| Ematronik | | |
| File: wuerfel.sch | | |
| Sheet: / | | |
| Title: Würfel | | |
| Size: A4 | Date: 14 jul 2011 | Rev: |
| KiCad E.D.A. eeschema (2011-04-29 BZR 2986)-stable | | Id: 1/1 |